



AUTROL® Smart Pressure Transmitter with Diaphragm Seal



MODEL APT3200L

DUON System Co., Ltd.

298-29, GONDAN-RO, GUNPO-SI, GYEONGGI-DO, KOREA 15809

Tel : +82-31-389-6100 Fax : +82-31-429-7200

E-mail: autrol@duon.co.kr, Web: www.autrol.com

AUTROL®



Smart Pressure Transmitter with Diaphragm Seal

APT3200L

Description of Product

The APT3200L Smart Pressure Transmitter is a micro processor-based high performance transmitter, which has flexible pressure calibration and output, automatic compensation of ambient temperature and process variable, configuration of various parameters, communication with HART protocol. All Data of Sensor (Tag No., type, range etc.) is to be input, modified and stored in EEPROM.

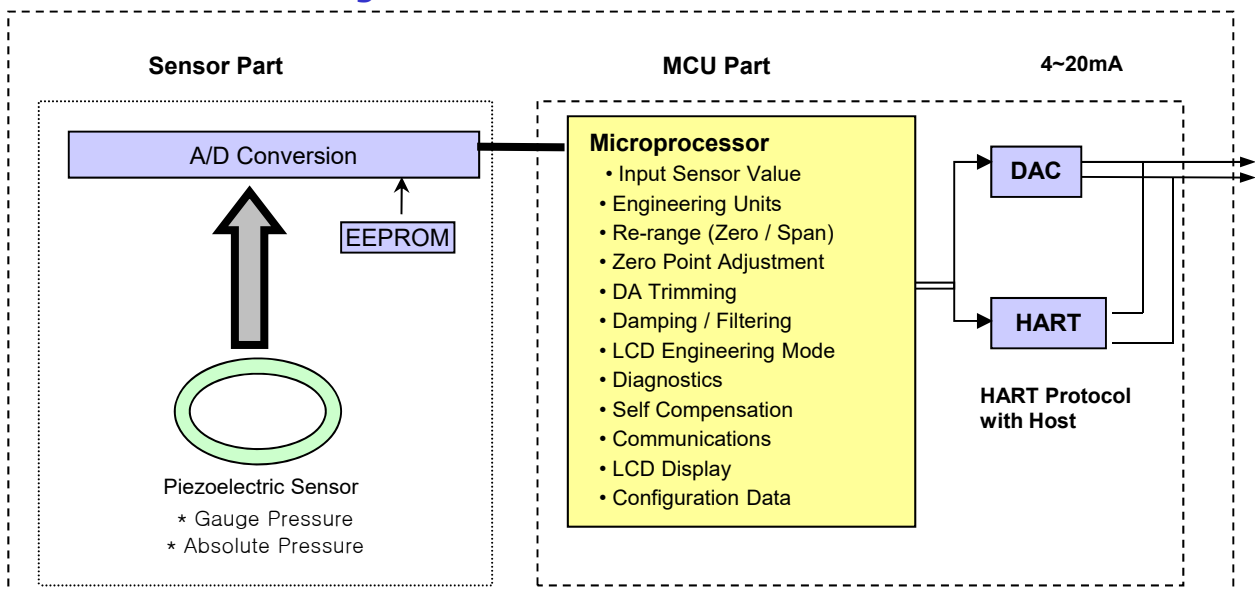
Function

- Flexible Sensor Input : GP, AP, Vacuum
- Various Output : 4 ~20mA , Digital Signals
- Setting Various Parameters : Zero/Span, Trim, Unit, Fail-mode, etc.
- Self Diagnostic Function : Sensor, Memory A/D Converter, Power, etc.
- Digital Communication with HART protocol
- Explosion-proof Approval & Intrinsic Safety Approval : KCs, FM & FMc, ATEX

Features

- Superior Performance
 - High Accuracy : $\pm 0.075\%$ of Calibrated Span (without seal)
 - Long-Term Stability
- Flexibility
 - Data Configuration with HART configurator
- Reliability
 - Continuous Self-Diagnostic Function
 - Automatic Ambient Temperature Compensation
 - Fail-mode Process Function
 - EEPROM Write Protection
 - CE EMC Conformity Standards (2004/108/EC: EN 61326-1:2006, EN 61326-2-3:2006)

Functional Block Diagram



Smart Transmitter with Diaphragm seal

General Specifications

1. Diaphragm Sealed Sensor Range (Rangeability : 20 : 1)

| Range | code | kPa |
|--------|------|--------------|
| Low | 4 | -100 ~ 1,500 |
| Medium | 5 | 0 ~ 5,000 |
| High | 6 | 0 ~ 25,000 |

2. Electrical Specifications

| | | | |
|----------------------|---------------|---------------|--------------------|
| Power Supply | 12 ~ 45 V dc | Output Signal | 4 ~ 20 mA dc /HART |
| HART loop resistance | 250 ~ 550 ohm | Isolation | 500 Vrms (707V DC) |

3. Performance Specifications (without seal)

| | | | |
|-------------------------|---|---------------------------|--|
| Reference Accuracy | $\pm 0.075\%$ of Span ($0.2URL \leq \text{Span} \leq URL$) $\pm [0.05 + 0.005 \times (URL/Span)]\%$ of Span ($0.05URL \leq \text{Span} < 0.2URL$) | Operating Temp. | -40 ~ +85 °C |
| | | LCD Meter Operating Temp. | -30 ~ +80 °C |
| | | Humidity Limits | 5% ~ 98% RH |
| Ambient Temp. Effect | $\pm [0.025\%URL + 0.125\% \text{ Span}] / 28 \text{ } ^\circ\text{C}$ | Process Temp. Limit | -40 ~ +120 °C |
| Stability | $\pm 0.1\%$ URL for 12 Months | Power Supply Effects | $\pm 0.005\%$ of Span per Volt |
| Static Pressure Effects | $\pm 0.1\%$ of URL per 7MPa (Zero Error) $\pm 0.2\%$ of Reading per 7Mpa (Span Error) | Mounting Position Effects | -Zero Shift up to 350Pa -No Span Effect |

4. Physical Specifications

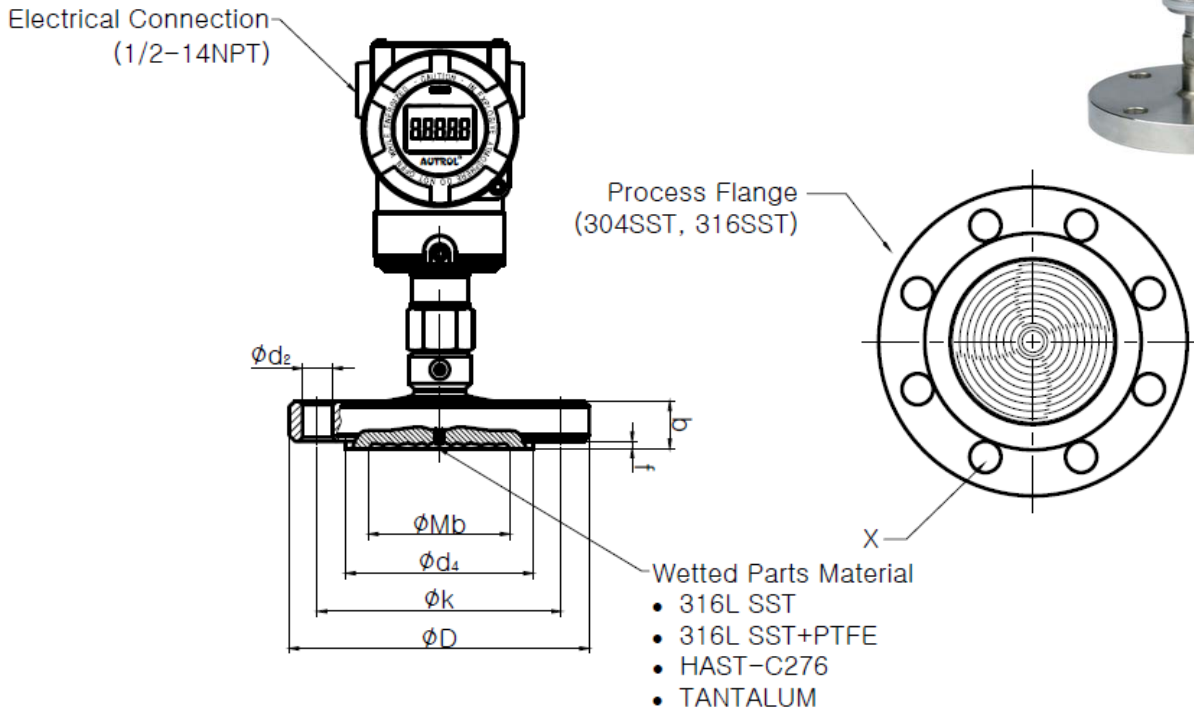
| | | | |
|---------------------------|----------|--------------------------------|---------------------|
| Isolating Diaphragm | 316L SST | Process Connection Size | 1/2" - 14 NPT |
| Electronic Housing | Aluminum | Diaphragm Seal(Flush/Extended) | 2" or 3" / 3" or 4" |
| Weight (only Transmitter) | 1.4 Kg | Electrical Connections | 1/2" - 14 NPT |
| | | 2" Pipe Stanchion Type bracket | Angle or Flat type |

5. Hazardous Location Certifications - Option

| Korea Standards Approval | Overseas Standards Approval |
|--|--|
| KC Flameproof Approval KC Intrinsic Safety Approval (*) | FM & FMc Explosion proof / Intrinsic Safety Approval (*) ATEX Flame proof / Intrinsic Safety Approval |

Dimensional Drawing (mm)

For Flush Diaphragm Seal and Direct Mount Type Transmitter



Flange Size: 100mm (4 inch)

Unit : mm

| Flange Rating | Mb | D | b | d2 | k | f | d4 | X |
|----------------|----|-----|----|----|-----|-----|-----|---|
| ANSI Class 150 | 89 | 229 | 24 | 19 | 190 | 1.5 | 157 | 8 |
| ANSI Class 300 | | 254 | 32 | 22 | 200 | | | |
| JIS 10K | 89 | 210 | 18 | 19 | 175 | 2 | 157 | 8 |
| JIS 20K | | 225 | 24 | 23 | 185 | | | |
| DIN PN 10/16 | 89 | 220 | 20 | 18 | 180 | 3 | 157 | 8 |
| DIN PN 25/40 | | 235 | 24 | 22 | 190 | | | |

Flange Size: 80mm (3 inch)

Unit : mm

| Flange Rating | Mb | D | b | d2 | k | f | d4 | X |
|----------------|----|-----|----|----|-------|-----|-----|---|
| ANSI Class 150 | 89 | 190 | 24 | 19 | 152.5 | 1.5 | 127 | 4 |
| ANSI Class 300 | | 210 | 29 | 22 | 168.5 | | | 8 |
| JIS 10K | 89 | 185 | 18 | 19 | 150 | 2 | 127 | 8 |
| JIS 20K | | 200 | 22 | 23 | 160 | | | |
| DIN PN 10/16 | 89 | 200 | 20 | 18 | 160 | 3 | 138 | 8 |
| DIN PN 25/40 | | | 24 | 22 | | | | |

Flange Size: 50mm (2 inch)

Unit : mm

| Flange Rating | Mb | D | b | d2 | k | f | d4 | X |
|----------------|----|-----|----|----|-------|-----|-----|---|
| ANSI Class 150 | 61 | 152 | 19 | 19 | 120.5 | 1.5 | 92 | 4 |
| ANSI Class 300 | | 165 | 22 | | 127 | | | 8 |
| JIS 10K | 61 | 155 | 16 | 19 | 120 | 2 | 96 | 4 |
| JIS 20K | | | 18 | | | | | 8 |
| DIN PN 10/16 | 61 | 165 | 20 | 18 | 125 | 3 | 102 | 4 |
| DIN PN 25/40 | | | | | | | | |

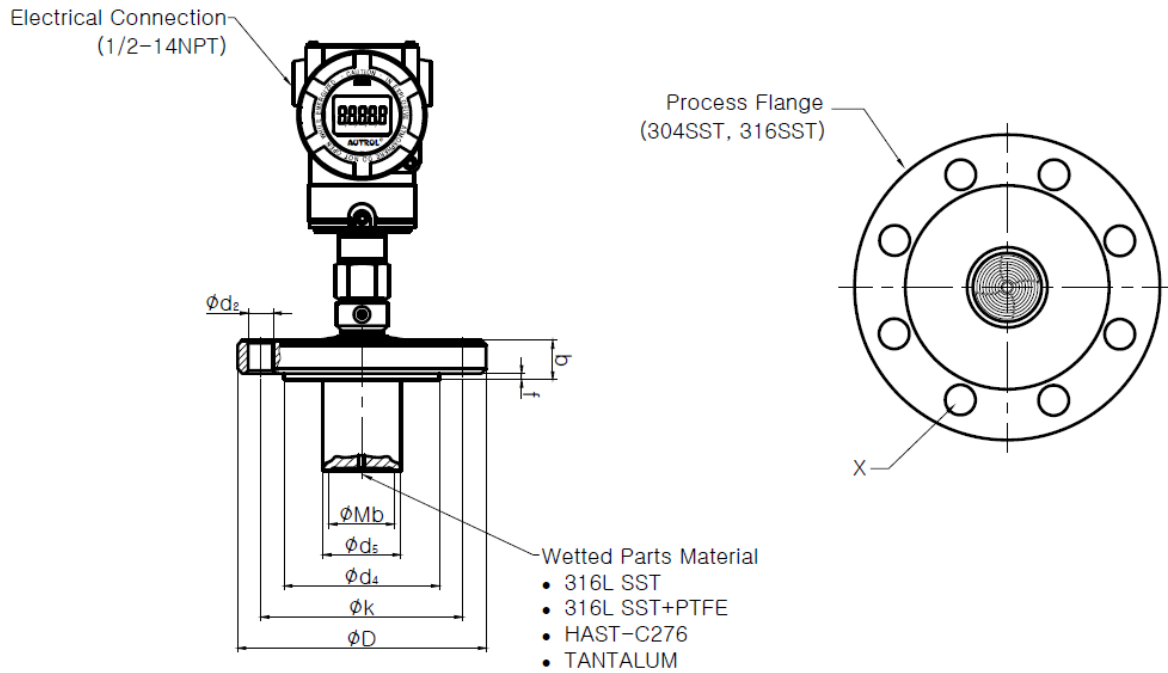
Ordering Information

| MODEL NO. | Code | Description | | | | | |
|--|---------|--|-----|---------|-------------------------------|---------------------------------|---------|
| APT3200 | LFD | Flush Diaphragm Seal and Direct Mount Type Transmitter | | | | | |
| Ranges | 4 | -100 to 1500 kPa | | | | | |
| | 5 | 0 to 5000 kPa | | | | | |
| | 6 | 0 to 25000 kPa | | | | | |
| | X | Special | | | | | |
| Mounting Flange Size / Material | | ANSI | | DIN | | JIS | |
| | S2 | 2-inch | SST | DN 50 | SST | 50 A | SST |
| | S3 | 3-inch | SST | DN 80 | SST | 80 A | SST |
| | S4 | 4-inch | SST | DN 100 | SST | 100 A | SST |
| | SX | Special | SST | Special | SST | Special | SST |
| Mounting Flange Rating | | ANSI | | DIN | | JIS | |
| | A1 | Class 150 | | D1 | PN 10/16 | J1 | 10 K |
| | A2 | Class 300 | | D2 | PN 25/40 | J2 | 20 K |
| | AX | Special | | DX | Special | JX | Special |
| Wetted Parts Material Diaphragm / Others | | DIAPHRAGM | | | OTHERS | | |
| | S | 316L SST | | | 316L SST | | |
| | P | 316L SST + Teflon | | | 316L SST | | |
| | H | Hastelloy C-276 | | | 316L SST | | |
| | T | Tantalum | | | 316L SST | | |
| X | Special | | | Special | | | |
| Fill Fluid | | FILL FLUID | | | TEMPERATURE LIMITS | | |
| | 2 | D.C Silicone 200 | | | -45 to 205 °C (-49 to 400 °F) | | |
| | 7 | D.C Silicone 704 | | | 0 to 315 °C (32 to 600 °F) | | |
| X | Special | | | Special | | | |
| Materials of Construction | | FLANGE | | | OTHERS | | |
| | SS | 316 SST | | | 316 SST | | |
| Electrical Connection | 1 | 1/2"-14NPT F | | | | | |
| | 2 | G1/2 | | | | | |
| | X | Special | | | | | |
| Hazardous Locations Certifications | K0 | Maker Standard (Waterproof : IP67) | | | | | |
| | K1 | KCs Flameproof | | | *K2 | KCs Intrinsic Safety | |
| | E1 | ATEX Flameproof | | | E2 | ATEX Intrinsic Safety | |
| | F1 | FM & FM Canada Explosion proof | | | *F2 | FM & FM Canada Intrinsic Safety | |
| Option | M1 | LCD Indicator (5-Digit) | | | LPI | Lighting Protector (Internal) | |
| | K | Oil Free Finish | | | ST | Stainless Steel Housing | |
| | A | Vaccum Service | | | X | Special Order | |

Note : Request to manufacturer for Draft Range, Absolute (Small Pressure and Vaccum) and items marked "***" before order.

Dimensional Drawing (mm)

For Extended Diaphragm Seal and Direct Mount Type Transmitter



Flange Size: 100mm (4 inch)

Unit : mm

| Flange Rating | Mb | D | b | d2 | k | f | d4 | d5 | X |
|----------------|----|-----|----|----|-----|-----|-----|----|---|
| ANSI Class 150 | 89 | 229 | 24 | 19 | 190 | 1.5 | 157 | 89 | 8 |
| ANSI Class 300 | | 254 | 32 | 22 | 200 | | | | |
| JIS 10K | 89 | 210 | 18 | 19 | 175 | 2 | 157 | 89 | 8 |
| JIS 20K | | 225 | 24 | 23 | 185 | | | | |
| DIN PN 10/16 | 89 | 220 | 20 | 18 | 180 | 3 | 157 | 89 | 8 |
| DIN PN 25/40 | | 235 | 24 | 22 | 190 | | | | |

Flange Size: 80mm (3 inch)

Unit : mm

| Flange Rating | Mb | D | b | d2 | k | f | d4 | d5 | X |
|----------------|----|-----|----|----|-------|-----|-----|----|---|
| ANSI Class 150 | 76 | 190 | 24 | 19 | 152.5 | 1.5 | 127 | 76 | 4 |
| ANSI Class 300 | | 210 | 29 | 22 | 168.5 | | | | 8 |
| JIS 10K | 76 | 185 | 18 | 19 | 150 | 2 | 127 | 76 | 8 |
| JIS 20K | | 200 | 22 | 23 | 160 | | | | |
| DIN PN 10/16 | 76 | 200 | 20 | 18 | 160 | 3 | 138 | 76 | 8 |
| DIN PN 25/40 | | | 24 | 22 | | | | | |

Flange Size: 50mm (2 inch)

Unit : mm

| Flange Rating | Mb | D | b | d2 | k | f | d4 | d5 | X |
|----------------|----|-----|----|----|-------|-----|-----|----|---|
| ANSI Class 150 | 48 | 152 | 19 | 19 | 120.5 | 1.5 | 92 | 48 | 4 |
| ANSI Class 300 | | 165 | 22 | | 127 | | | | 8 |
| JIS 10K | 48 | 155 | 16 | 19 | 120 | 2 | 96 | 48 | 4 |
| JIS 20K | | | 18 | | | | | | 8 |
| DIN PN 10/16 | 48 | 165 | 20 | 18 | 125 | 3 | 102 | 48 | 4 |
| DIN PN 25/40 | | | | | | | | | |

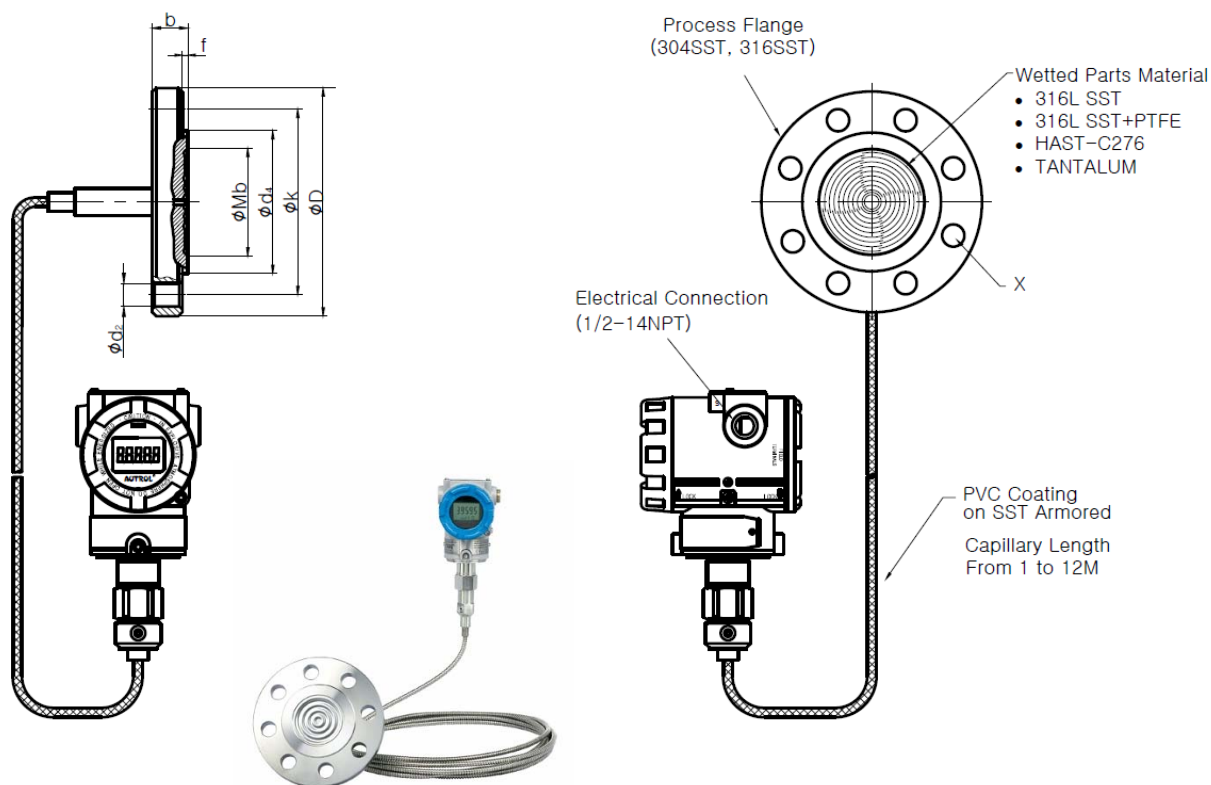
Ordering Information

| MODEL NO. | Code | Description | | | | | |
|--|--------------------------|--|-------------------------------|----------|--------------------|---------------------------------|-----|
| APT3500 | LED | Extended Diaphragm Seal and Direct Mount Type Transmitter | | | | | |
| Ranges | 4 | -100 to 1500 kPa | | | | | |
| | 5 | 0 to 5000 kPa | | | | | |
| | 6 | 0 to 25000 kPa | | | | | |
| | X | Special | | | | | |
| Mounting Flange Size / Material | S2 | ANSI | | DIN | | JIS | |
| | | 2-inch | SST | DN 50 | SST | 50 A | SST |
| | | 3-inch | SST | DN 80 | SST | 80 A | SST |
| | | 4-inch | SST | DN 100 | SST | 100 A | SST |
| Mounting Flange Rating | S2 | ANSI | | DIN | | JIS | |
| | | Class 150 | D1 | PN 10/16 | J1 | 10 K | |
| | | Class 300 | D2 | PN 25/40 | J2 | 20 K | |
| | | Special | DX | Special | JX | Special | |
| Extension Length | <input type="checkbox"/> | <input type="checkbox"/> x 10 mm Exp: 15 --> 150mm, 12--> 120mm | | | | | |
| Wetted Parts Material Diaphragm / Others | S | DIAPHRAGM | | | OTHERS | | |
| | | 316L SST | 316L SST | | | | |
| | | 316L SST + Teflon | 316L SST | | | | |
| | | Hastelloy C-276 | 316L SST | | | | |
| | | Tantalum | 316L SST | | | | |
| X | Special | | | Special | | | |
| Fill Fluid | 2 | FILL FLUID | | | TEMPERATURE LIMITS | | |
| | | D.C Silicone 200 | -45 to 205 °C (-49 to 400 °F) | | | | |
| | | D.C Silicone 704 | 0 to 315 °C (32 to 600 °F) | | | | |
| X | Special | | | Special | | | |
| Materials of Construction | SS | FLANGE | | | OTHERS | | |
| | | 316 SST | | | 316 SST | | |
| Electrical Connection | 1 | 1/2"-14NPT F | | | | | |
| | 2 | G1/2 | | | | | |
| | X | Special | | | | | |
| Hazardous Locations Certifications | K0 | Maker Standard (Waterproof : IP67) | | | | | |
| | K1 | KCs Flameproof | | | *K2 | KCs Intrinsic Safety | |
| | E1 | ATEX Flameproof | | | E2 | ATEX Intrinsic Safety | |
| | F1 | FM & FM Canada Explosion proof | | | *F2 | FM & FM Canada Intrinsic Safety | |
| Option | M1 | LCD Indicator (5-Digit) | | | LPI | Lighting Protector (Internal) | |
| | K | Oil Free Finish | | | ST | Stainless Steel Housing | |
| | A | Vaccum Service | | | X | Special Order | |

Note : Request to manufacturer for Draft Range, Absolute (Small Pressure and Vaccum) and items marked "*" before order.

Dimensional Drawing (mm)

For Flush Diaphragm Seal and Capillary type Transmitter



Flange Size: 100mm (4 inch)

Unit : mm

| Flange Rating | Mb | D | b | d2 | k | f | d4 | X |
|----------------|----|-----|----|----|-----|-----|-----|---|
| ANSI Class 150 | 89 | 229 | 24 | 19 | 190 | 1.5 | 157 | 8 |
| ANSI Class 300 | | 254 | 32 | 22 | 200 | | | |
| JIS 10K | 89 | 210 | 18 | 19 | 175 | 2 | 157 | 8 |
| JIS 20K | | 225 | 24 | 23 | 185 | | | |
| DIN PN 10/16 | 89 | 220 | 20 | 18 | 180 | 3 | 157 | 8 |
| DIN PN 25/40 | | 235 | 24 | 22 | 190 | | | |

Flange Size: 80mm (3 inch)

Unit : mm

| Flange Rating | Mb | D | b | d2 | k | f | d4 | X |
|----------------|----|-----|----|----|-------|-----|-----|---|
| ANSI Class 150 | 89 | 190 | 24 | 19 | 152.5 | 1.5 | 127 | 4 |
| ANSI Class 300 | | 210 | 29 | 22 | 168.5 | | | 8 |
| JIS 10K | 89 | 185 | 18 | 19 | 150 | 2 | 127 | 8 |
| JIS 20K | | 200 | 22 | 23 | 160 | | | |
| DIN PN 10/16 | 89 | 200 | 20 | 18 | 160 | 3 | 138 | 8 |
| DIN PN 25/40 | | | 24 | 22 | | | | |

Flange Size: 50mm (2 inch)

Unit : mm

| Flange Rating | Mb | D | b | d2 | k | f | d4 | X |
|----------------|----|-----|----|----|-------|-----|-----|---|
| ANSI Class 150 | 61 | 152 | 19 | 19 | 120.5 | 1.5 | 92 | 4 |
| ANSI Class 300 | | 165 | 22 | | 127 | | | 8 |
| JIS 10K | 61 | 155 | 16 | 19 | 120 | 2 | 96 | 4 |
| JIS 20K | | | 18 | | | | | 8 |
| DIN PN 10/16 | 61 | 165 | 20 | 18 | 125 | 3 | 102 | 4 |
| DIN PN 25/40 | | | | | | | | |

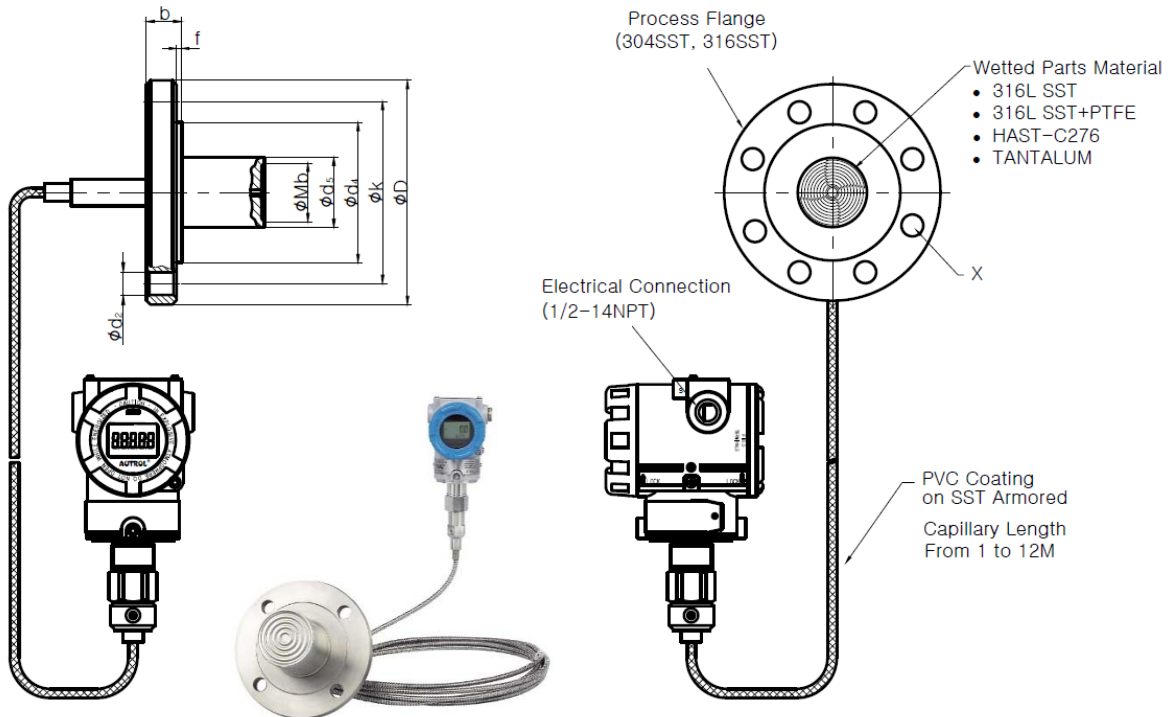
Ordering Information

| MODEL NO. | Code | Description | | | | | | |
|--|------|---|---------|--------|-------------------------------|---------------------------------|---------|--|
| APT3500 | LFS | Flush Diaphragm Seal and Capillary Type Transmitter (One Remote Seal) | | | | | | |
| Ranges | 4 | -100 to 1500 kPa | | | | | | |
| | 5 | 0 to 5000 kPa | | | | | | |
| | 6 | 0 to 25000 kPa | | | | | | |
| | X | Special | | | | | | |
| Mounting Flange Size / Material | S2 | ANSI | | DIN | | JIS | | |
| | | 2-inch | SST | DN 50 | SST | 50 A | SST | |
| | | 3-inch | SST | DN 80 | SST | 80 A | SST | |
| | | 4-inch | SST | DN 100 | SST | 100 A | SST | |
| Mounting Flange Rating | S3 | ANSI | | DIN | | JIS | | |
| | | Class 150 | | D1 | PN 10/16 | J1 | 10 K | |
| | | Class 300 | | D2 | PN 25/40 | J2 | 20 K | |
| | | Special | | DX | Special | JX | Special | |
| Wetted Parts Material Diaphragm / Others | S | DIAPHRAGM | | | OTHERS | | | |
| | | 316L SST | | | 316L SST | | | |
| | | 316L SST + Teflon | | | 316L SST | | | |
| | | Hastelloy C-276 | | | 316L SST | | | |
| | | Tantalum | | | 316L SST | | | |
| Fill Fluid | X | FILL FLUID | | | TEMPERATURE LIMITS | | | |
| | | D.C Silicone 200 | | | -45 to 205 °C (-49 to 400 °F) | | | |
| | | D.C Silicone 704 | | | 0 to 315°C (32 to 600 °F) | | | |
| Capillary Length | □□ | Capillary Length from 1 to 12m | | | | | | |
| | | Exp: 01 --> 1m, 10-->10m | | | | | | |
| Materials of Construction | SS | FLANGE | | | OTHERS | | | |
| | | 316 SST | | | 316 SST | | | |
| Electrical Connection | 1 | 1/2"-14NPT F | | | | | | |
| | | 2 | G1/2 | | | | | |
| | | | Special | | | | | |
| Hazardous Locations Certifications | K0 | Maker Standard (Waterproof : IP67) | | | | | | |
| | | K1 KCs Flameproof | | | *K2 | KCs Intrinsic Safety | | |
| | | E1 ATEX Flameproof | | | E2 | ATEX Intrinsic Safety | | |
| | | F1 FM & FM Canada Explosion proof | | | *F2 | FM & FM Canada Intrinsic Safety | | |
| Option | M1 | LCD Indicator (5-Digit) | | | LPI | Lighting Protector (Internal) | | |
| | | BA SST Bracket (Angle Type) with Bolts & Nuts | | | K | Oil Free Finish | | |
| | | BF SST Bracket (Flat Type) with Bolts & Nuts | | | ST | Stainless Steel Housing | | |
| | | A Vaccum Service | | | X | Special Order | | |

Note : Request to manufacturer for Draft Range, Absolute (Small Pressure and Vaccum) and items marked *** before order.

Dimensional Drawing (mm)

For Extended Diaphragm Seal and Capillary Type Transmitter



Flange Size: 100mm (4 inch)

Unit : mm

| Flange Rating | Mb | D | b | d2 | k | f | d4 | d5 | X |
|----------------|----|-----|----|----|-----|-----|-----|----|---|
| ANSI Class 150 | 89 | 229 | 24 | 19 | 190 | 1.5 | 157 | 89 | 8 |
| ANSI Class 300 | | 254 | 32 | 22 | 200 | | | | |
| JIS 10K | 89 | 210 | 18 | 19 | 175 | 2 | 157 | 89 | 8 |
| JIS 20K | | 225 | 24 | 23 | 185 | | | | |
| DIN PN 10/16 | 89 | 220 | 20 | 18 | 180 | 3 | 157 | 89 | 8 |
| DIN PN 25/40 | | 235 | 24 | 22 | 190 | | | | |

Flange Size: 80mm (3 inch)

Unit : mm

| Flange Rating | Mb | D | b | d2 | k | f | d4 | d5 | X |
|----------------|----|-----|----|----|-------|-----|-----|----|---|
| ANSI Class 150 | 76 | 190 | 24 | 19 | 152.5 | 1.5 | 127 | 76 | 4 |
| ANSI Class 300 | | 210 | 29 | 22 | 168.5 | | | | 8 |
| JIS 10K | 76 | 185 | 18 | 19 | 150 | 2 | 127 | 76 | 8 |
| JIS 20K | | 200 | 22 | 23 | 160 | | | | |
| DIN PN 10/16 | 76 | 200 | 20 | 18 | 160 | 3 | 138 | 76 | 8 |
| DIN PN 25/40 | | | 24 | 22 | | | | | |

Flange Size: 50mm (2 inch)

Unit : mm

| Flange Rating | Mb | D | b | d2 | k | f | d4 | d5 | X |
|----------------|----|-----|----|----|-------|-----|-----|----|---|
| ANSI Class 150 | 48 | 152 | 19 | 19 | 120.5 | 1.5 | 92 | 48 | 4 |
| ANSI Class 300 | | 165 | 22 | | 127 | | | | 8 |
| JIS 10K | 48 | 155 | 16 | 19 | 120 | 2 | 96 | 48 | 4 |
| JIS 20K | | | 18 | | | | | | 8 |
| DIN PN 10/16 | 48 | 165 | 20 | 18 | 125 | 3 | 102 | 48 | 4 |
| DIN PN 25/40 | | | | | | | | | |

Ordering Information

| MODEL NO. | Code | Description | | | | | |
|--|------|--|-----------|--------|-------------------------------|---------------------------------|---------|
| APT3500 | LES | Extended Diaphragm Seal and Capillary Type Transmitter (One Remote Seal) | | | | | |
| Ranges | 4 | -100 to 1500 kPa | | | | | |
| | 5 | 0 to 5000 kPa | | | | | |
| | 6 | 0 to 25000 kPa | | | | | |
| | X | Special | | | | | |
| Mounting Flange Size / Material | S2 | ANSI | | DIN | | JIS | |
| | | 2-inch | SST | DN 50 | SST | 50 A | SST |
| | | 3-inch | SST | DN 80 | SST | 80 A | SST |
| | | 4-inch | SST | DN 100 | SST | 100 A | SST |
| Mounting Flange Rating | AX | ANSI | | DIN | | JIS | |
| | | A1 | Class 150 | D1 | PN 10/16 | J1 | 10 K |
| | | A2 | Class 300 | D2 | PN 25/40 | J2 | 20 K |
| | | AX | Special | DX | Special | JX | Special |
| Extension Length | □□ | □□ x 10 mm Exp: 15 --> 150mm, 12--> 120mm | | | | | |
| Wetted Parts Material Diaphragm / Others | S | DIAPHRAGM | | | OTHERS | | |
| | | 316L SST | | | 316L SST | | |
| | | 316L SST + Teflon | | | 316L SST | | |
| | | Hastelloy C-276 | | | 316L SST | | |
| | | Tantalum | | | 316L SST | | |
| Fill Fluid | X | FILL FLUID | | | TEMPERATURE LIMITS | | |
| | | D.C Silicone 200 | | | -45 to 205 °C (-49 to 400 °F) | | |
| | | D.C Silicone 704 | | | 0 to 315 °C (32 to 600 °F) | | |
| | | Special | | | Special | | |
| Capillary Length | □□ | Capillary Length from 1 to 12m Exp: 01 --> 1m, 10-->10m | | | | | |
| Materials of Construction | SS | FLANGE | | | OTHERS | | |
| | | 316 SST | | | 316 SST | | |
| Electrical Connection | 1 | 1/2"-14NPT F | | | | | |
| | 2 | G1/2 | | | | | |
| | X | Special | | | | | |
| Hazardous Locations Certifications | K0 | Maker Standard (Waterproof : IP67) | | | | | |
| | K1 | KCs Flameproof | | | *K2 | KCs Intrinsic Safety | |
| | E1 | ATEX Flameproof | | | E2 | ATEX Intrinsic Safety | |
| | F1 | FM & FM Canada Explosion proof | | | *F2 | FM & FM Canada Intrinsic Safety | |
| Option | M1 | LCD Indicator (5-Digit) | | | LPI | Lightning Protector (Internal) | |
| | BA | SST Bracket (Angle Type) with Bolts & Nuts | | | K | Oil Free Finish | |
| | BF | SST Bracket (Flat Type) with Bolts & Nuts | | | ST | Stainless Steel Housing | |
| | A | Vaccum Service | | | X | Special Order | |

Note : Request to manufacturer for Draft Range, Absolute (Small Pressure and Vaccum) and items marked *** before order.

Smart Transmitter with Diaphragm Seal

Direct Mount Type

APT3200LFD / LED



One Remote Type

APT3200LFS / LES



Special Performance Type

